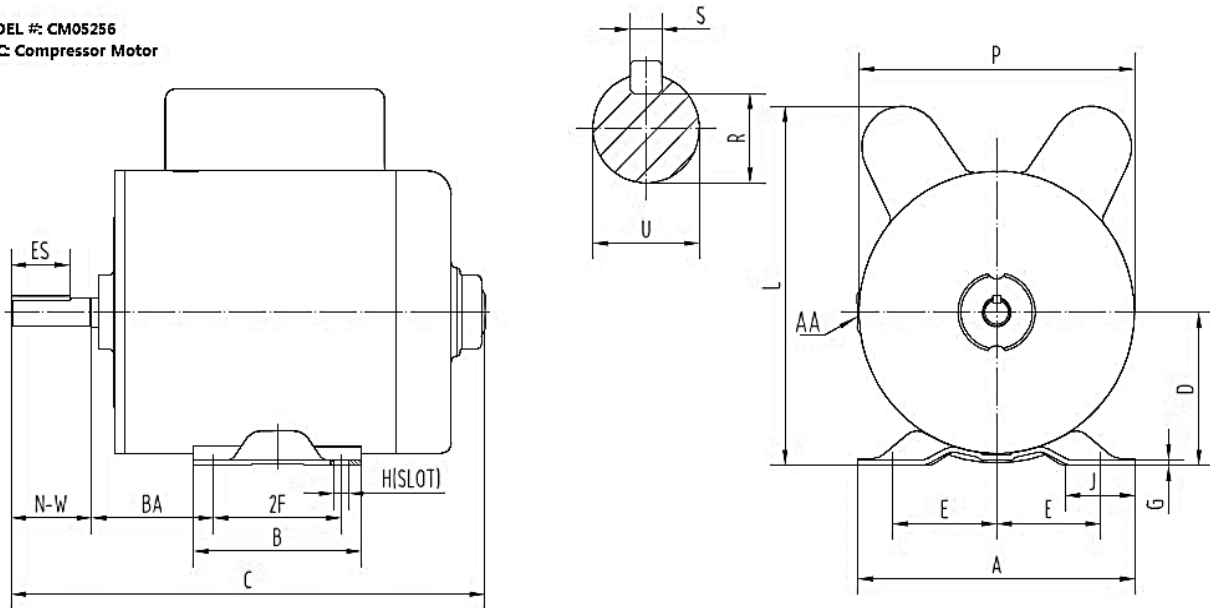


Compressor Motor CM05256

Rev.01.12

Single Phase, 5hp SPL, 3600rpm, 208-230V, 16/15amps, 56 Frame ODP

MODEL #: CM05256
DESC: Compressor Motor



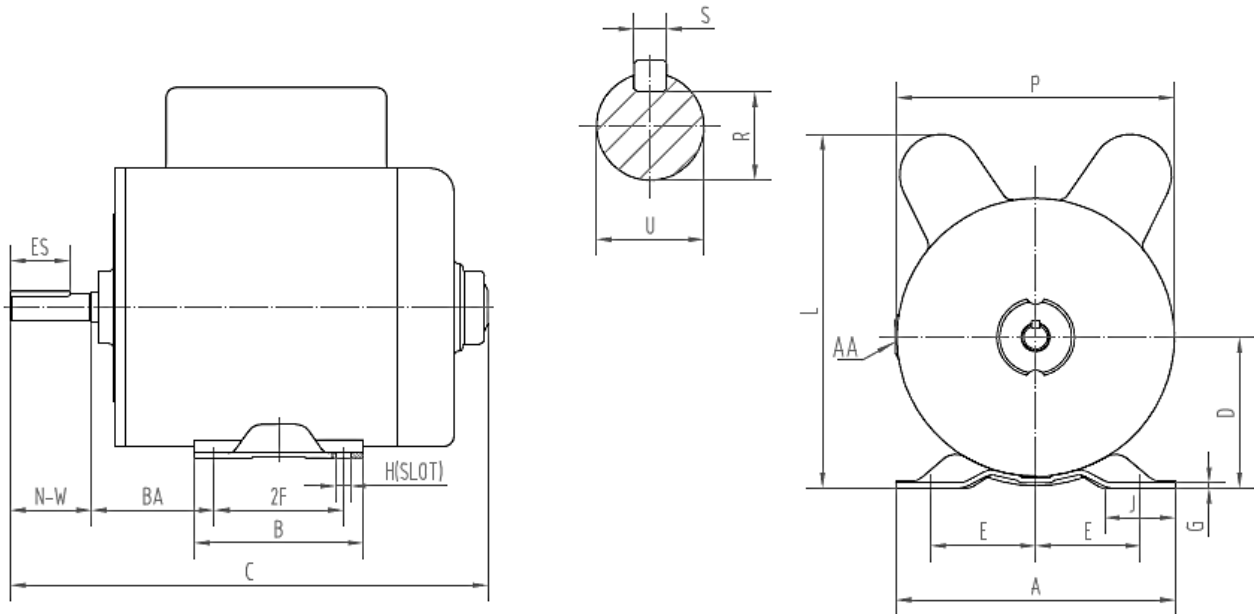
Frame	E	2F	H	BA	A	B	C	D	L
	2.44	3	0.34	2.75	6.5	4	12.9	3.5	7.95
56	J	P	G	AA	S	ES	R	N-W	U
	1.73	6.46	0.12	1/2	0.188	1.41	0.517	1.88	0.625

* Design specs are subject to change without further notice.

Compressor Motor 1205T-ODP

Rev.01.12

Single Phase, 5hp, 3600rpm, 208-230V, 22/21amps, 145 Frame ODP



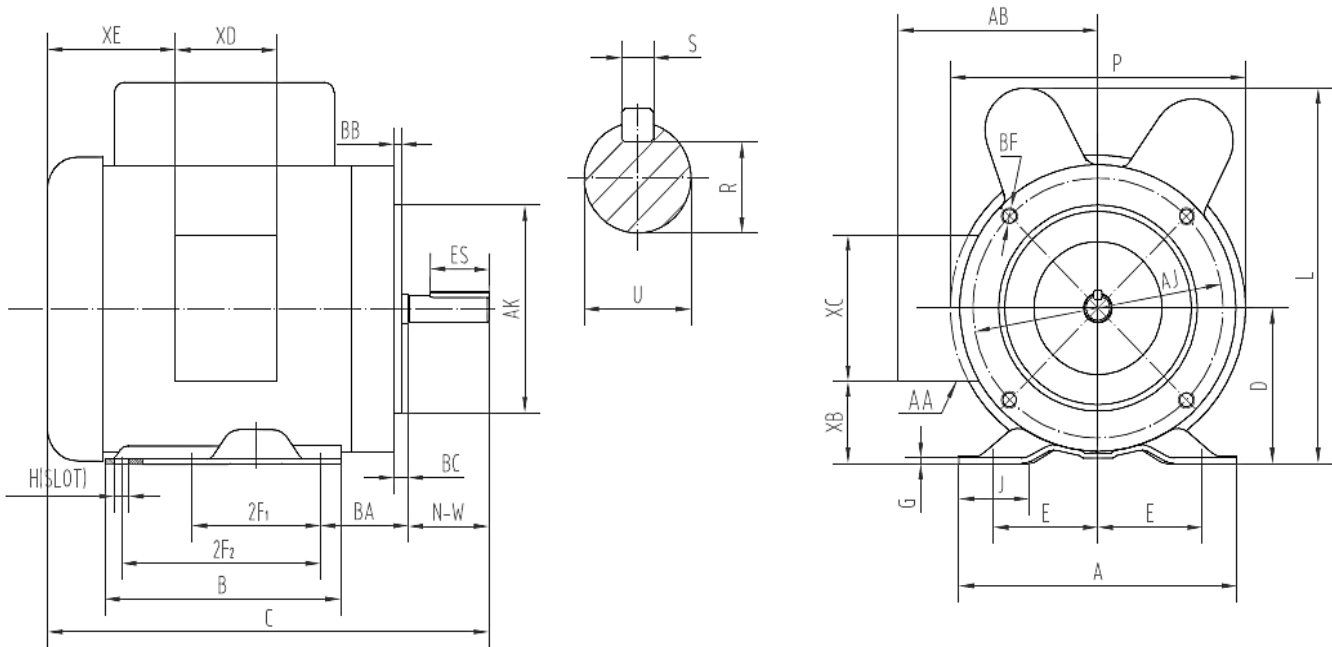
Frame	E	2F	H	BA	A	B	C	D	L
145	2.44	3	0.34	2.75	6.5	4	14.56	3.5	7.95
	J	P	G	AA	S	ES	R	N-W	U
	1.73	6.46	0.12	1/2	0.188	1.41	0.771	2.25	0.875

* Design specs are subject to change without further notice.

Compressor Motor 1205C

Rev.01.12

Single Phase, 5hp, 3600rpm, 208-230V, 22/21amps, 56C Frame TEFC



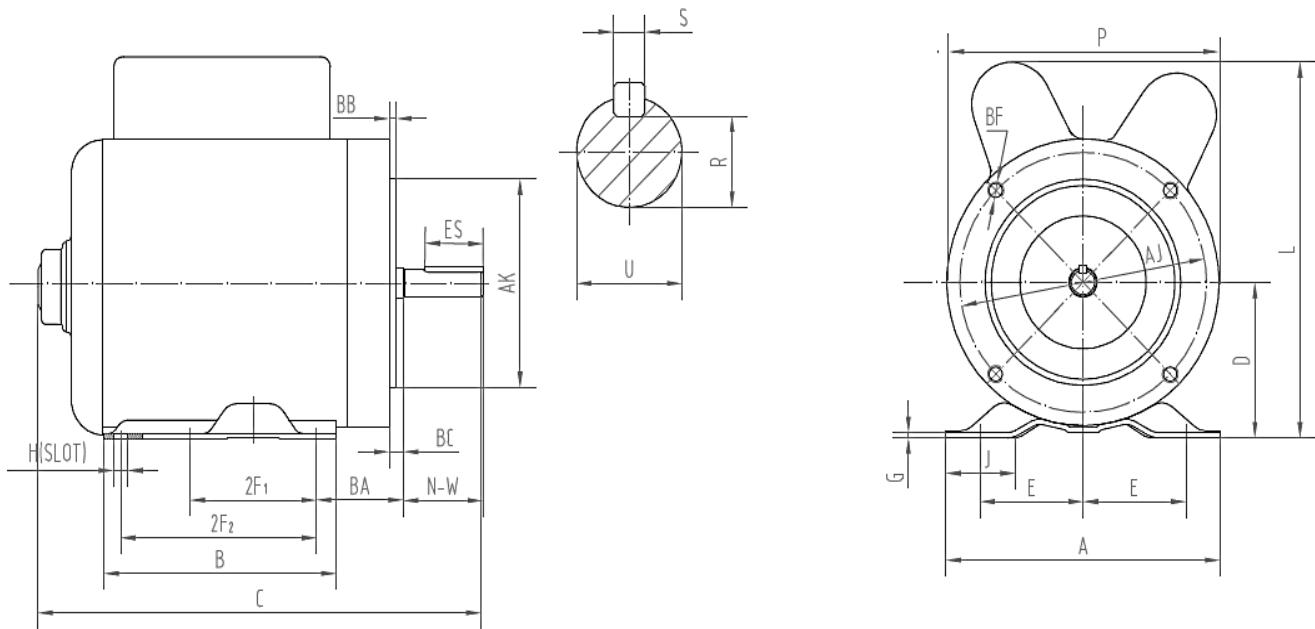
Frame	E	2F ₁	2F ₂	H	BA	BB	BC	A	B	C	D	G	J	P	L
56C	2.44	3	5	0.34	2.75	0.16	0.276	6.5	6.5	14.5	3.5	0.12	1.73	6.9	8.11
	AB	AA	S	ES	R	N-W	U	XB	XC	XD	XE	AK	AJ	BF	
	5.35	1/2	0.188	1.41	0.517	1.88	0.625	1.65	3.7	3.23	2.85	4.5	5.875	3/8-16	

* Design specs are subject to change without further notice.

Compressor Motor 1205C-ODP

Rev.01.12

Single Phase, 5hp, 3600rpm, 208-230V, 22/21amps, 56C Frame ODP



Frame	E	2F ₁	2F ₂	H	BA	BB	BC	A	B	C	D	G	J	P	L
56C	2.44	3	5	0.34	2.75	0.16	0.19	6.5	6.5	13.6	3.5	0.12	1.73	6.46	8.11
	AB	AA	S	ES	R	N-W	U	XB	XC	XD	XE	AK	AJ	BF	
		1/2	0.188	1.41	0.517	1.88	0.625	1.65	3.7	3.23	2.85	4.5	5.875	3/8-16	

* Design specs are subject to change without further notice.