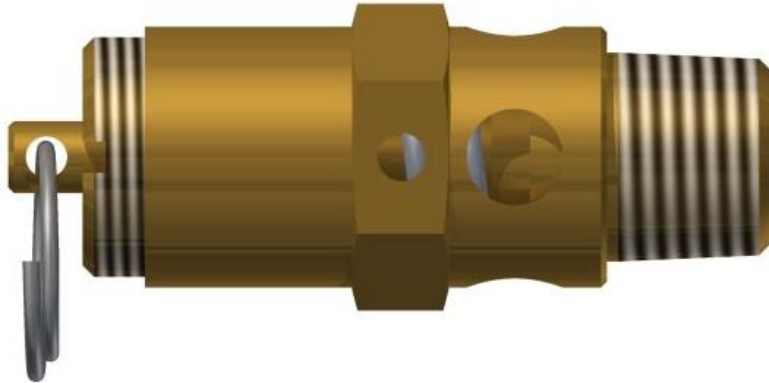




**Pressure Relief Valve
Model: SRH250**



Set Pressure Range: 50-350 psig

Set Pressure Tolerance: ± 2 psig up to and including 70 psig, $\pm 3\%$ of set pressure greater than 70 psig. As required in paragraph UG-134(d)(1) of the ASME Boiler & Pressure Vessel Code Sec. VIII Div. 1.

**Seat Leakage: No audible leak at 45% set pressure at 25-74 psig.
No audible leak at 90% set pressure above 74 psig.
As required by Conrader Standards, allowed by paragraph UG-136(d)(5) of the ASME Boiler & Pressure Vessel Code Sec. VIII Div. 1.**

Flow Factor (Slope Method): 0.72

Operating Temperature Range: -65°F to 400°F

Materials of Construction:

**Seat, Cap, Piston: ASTM B16 Brass or ASTM A582 Stainless
Spring: 302 Stainless Steel
Sealing Ball: 440 Stainless Steel**

Valve Weight: 0.123 lbm

Valve Options:

**Valve Material: ASTM B16 Brass or ASTM A582 Stainless
Compliance with European PED 2014/68/EU, "CE" Stamp
Plating: Nickel Plating
Inlet NPT Sizes: 1/8 NPT or BSPT
1/4 NPT or BSPT
3/8 NPT or BSPT**

Certifications:

**ASME Boiler & Pressure Vessel Code Section VIII Division 1
CSA B51-03 Boiler, Pressure, Vessel, and Pressure Piping Code**

CONRADER

Ordering Information

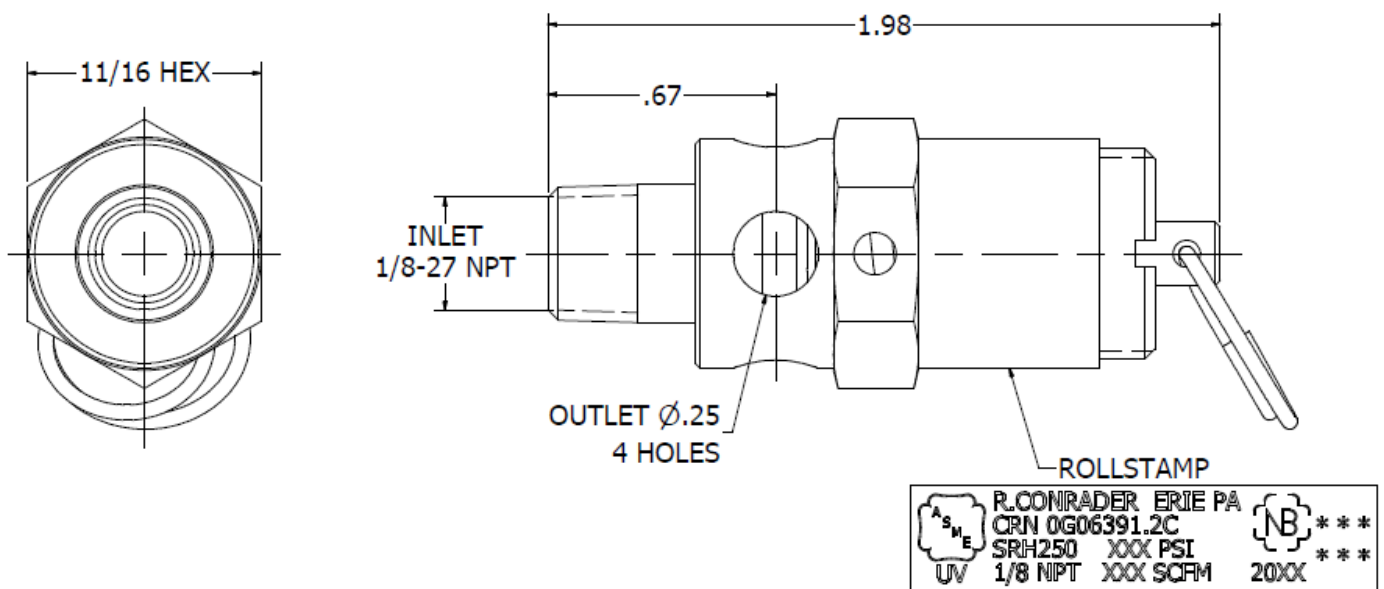
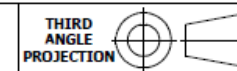
SRH250		-	1/4		-	BSPT		-	SS		-	CE		-	SC		-	SST		-	150	
Connection Size		Connection Type		Construction Material		Optional Code		Serialized		Thread Sealant		Pressure Setting										
Option	Code	Option	Code	Option	Code	Option	Code	Option	Code	Option	Code											
1/8"	1/8	NPT	(Blank)	Brass	(Blank)	None	(Blank)	None	(Blank)	None	(Blank)											
1/4"	1/4	BSPT	BSPT	Nickel Plated	NP	CE Mark	CE	Serialized	SC	White	SST											
3/8"	3/8"			Stainless Steel	SS	Non-Code	NC															

Options

1. Connection Size: The available sizes are 1/8", 1/4", or 3/8".
2. Connection Type
 - a. NPT – Pipe Threads made to the ASME B1.20.1 Standard
 - b. BSPT – Pipe Threads made to the ISO 7-1 Standard
3. Construction Material
 - a. Brass
 - b. Nickel Plated – Electroless Nickel Plated Brass
 - c. Stainless Steel
4. Optional Code
 - a. None: Will meet the requirements of ASME BPV Code Section VIII Division 1.
 - b. CE Mark: Valve has the “CE” mark for the European Union Pressure Equipment Directive.
 - c. Non-Code: For valves with a pressure setting below 25 psi.
5. Serialized Valves: Have a unique serial number and include certificate.
6. Thread Sealant
 - a. White colored thread sealant
 - b. Rust colored thread sealant

Examples:

1. A 1/4" NPT brass valve set 200 psi is **SRH250-1/4-200**.
2. A 1/8" BSPT brass valve with white thread sealant set at 100 psi is **SRH250-1/8-BSPT-SST-100**.

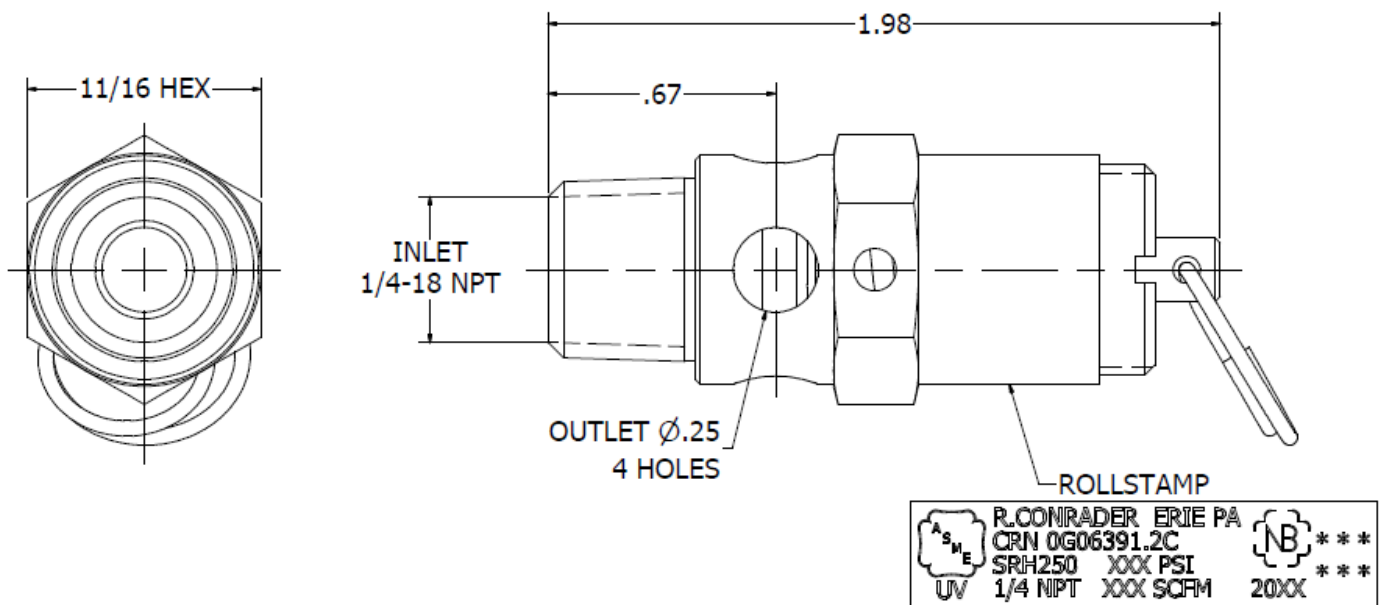
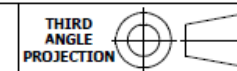


ASME	R. CONRADER ERIE PA		NB ***
	CRN 0G06391.2C		
	SRH250	XXX PSI	
	UV 1/8 NPT	XXX SCFM	
		20XX	

NOTES:

- * OPERATING TEMPERATURE RANGE: -65°F TO 400°F
- * SET PRESSURE RANGE: 25-350 psig
- * SET PRESSURE TOLERANCE: ±2 psig UP TO AND INCLUDING 70 psig, ±3% OF SET PRESSURE GREATER THAN 70 psig.
- * SEAT TIGHTNESS: NO AUDIBLE LEAK AT 45% OF SET PRESSURE FOR SET PRESSURE 25-74 psig. NO AUDIBLE LEAK AT 90% OF SET PRESSURE FOR SET PRESSURE GREATER THAN 74 psig.
- * VALVE WEIGHT: 0.10 lbmass

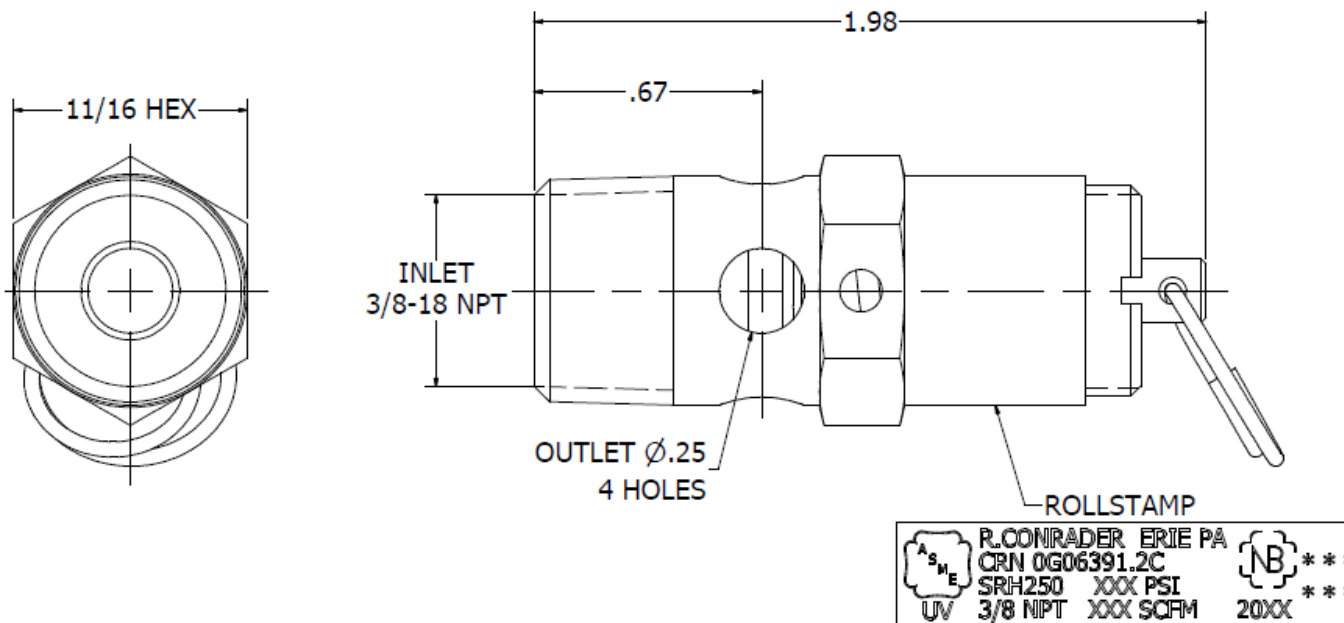
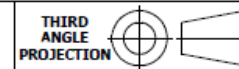
	R. CONRADER COMPANY 749 EAST 18TH STREET P.O. BOX 924 ERIE, PA 16512-0924 (814) 898-2727	DESCRIPTION DIM. OUTLINE VALVE MODEL SRH250-1/8 MATERIAL	ISSUED BY IGNATAN REVISION NRP SCALE 2:1	ISSUED 10/10/2006 REVISION 4/14/2016 DRAWING NO. 5192	GROUP SV PAGE 2 OF 4 REVISION F
	<small>THIS DOCUMENT CONTAINS INFORMATION CONFIDENTIAL TO CONRADER. LOANED SUBJECT TO THE CONDITIONS THAT IT NOT BE USED OR CAUSED TO BE USED IN ANY WAY HARMFUL TO CONRADER AND BE RETURNED ON DEMAND.</small>				



NOTES:

- * OPERATING TEMPERATURE RANGE: -65°F TO 400°F
- * SET PRESSURE RANGE: 25-350 psig
- * SET PRESSURE TOLERANCE: ±2 psig UP TO AND INCLUDING 70 psig, ±3% OF SET PRESSURE GREATER THAN 70 psig.
- * SEAT TIGHTNESS: NO AUDIBLE LEAK AT 45% OF SET PRESSURE FOR SET PRESSURE 25-74 psig. NO AUDIBLE LEAK AT 90% OF SET PRESSURE FOR SET PRESSURE GREATER THAN 74 psig.
- * VALVE WEIGHT: 0.11 lbmass

R. CONRADER COMPANY 749 EAST 18TH STREET P.O. BOX 924 ERIE, PA 16512-0924 (814) 898-2727	DESCRIPTION DIM. OUTLINE	ISSUED BY L.CONTI	ISSUED 1/19/1995	GROUP SV
	VALVE MODEL SRH250-1/4	REVISOR NRP	REVISOR 4/14/2016	PAGE 2 OF 4
<small>THIS DOCUMENT CONTAINS INFORMATION CONFIDENTIAL TO CONRADER. LOANED SUBJECT TO THE CONDITIONS THAT IT NOT BE USED OR CAUSED TO BE USED IN ANY WAY HARMFUL TO CONRADER AND BE RETURNED ON DEMAND.</small>	MATERIAL	SCALE 2:1	DRAWING NO. 0943	REVISION J



ASME UV	R. CONRADER ERIE PA	NB *** ***
	CRN 0G06391.2C	
	SRH250 XXX PSI	
	3/8 NPT XXX SCFM 20XX	

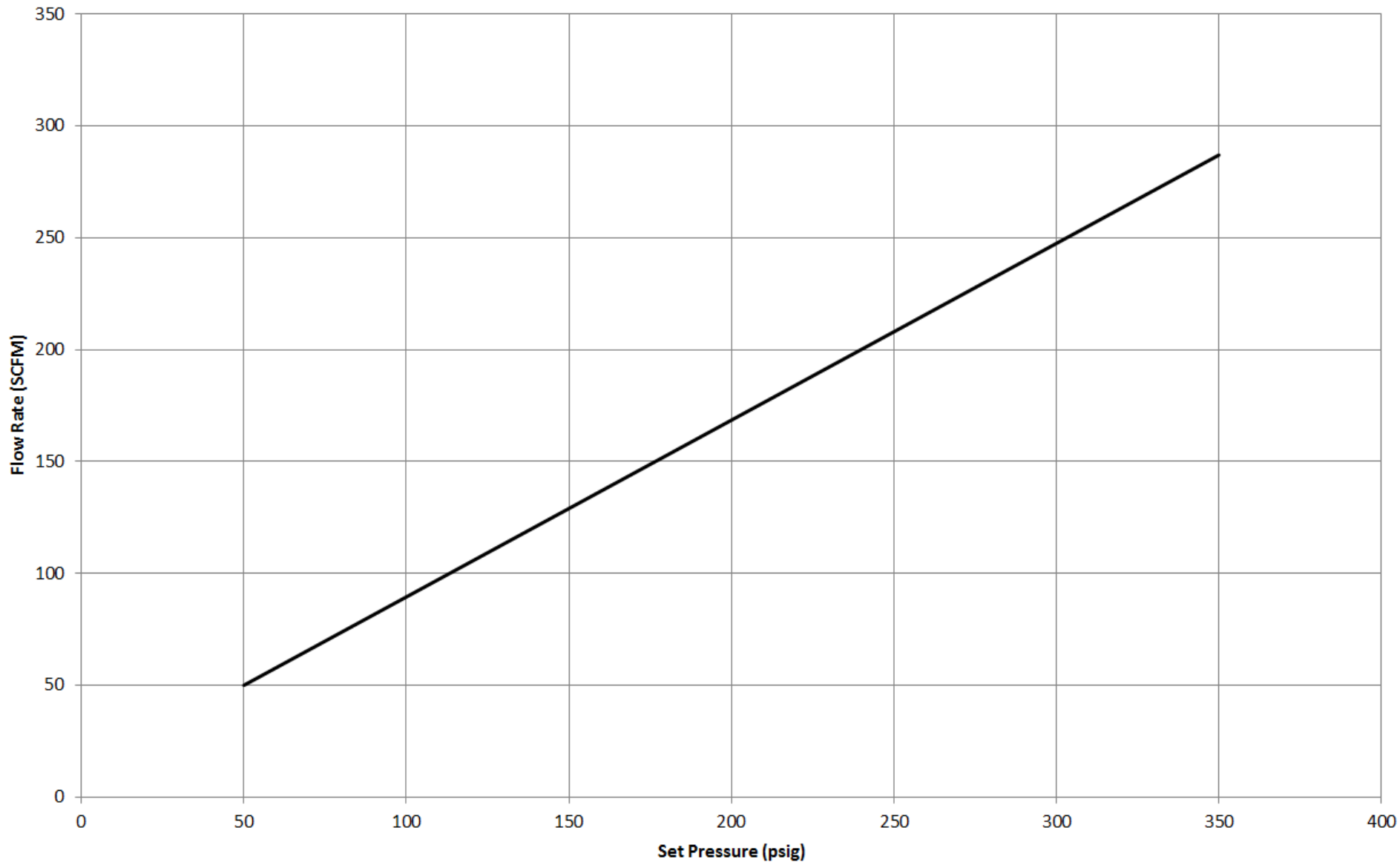
NOTES:

- * OPERATING TEMPERATURE RANGE: -65°F TO 400°F
- * SET PRESSURE RANGE: 25-350 psig
- * SET PRESSURE TOLERANCE: ±2 psig UP TO AND INCLUDING 70 psig, ±3% OF SET PRESSURE GREATER THAN 70 psig.
- * SEAT TIGHTNESS: NO AUDIBLE LEAK AT 45% OF SET PRESSURE FOR SET PRESSURE 25-74 psig. NO AUDIBLE LEAK AT 90% OF SET PRESSURE FOR SET PRESSURE GREATER THAN 74 psig.
- * VALVE WEIGHT: 0.13 lbmass

R. CONRADER COMPANY 749 EAST 18TH STREET P.O. BOX 924 ERIE, PA 16512-0924 (814) 898-2727	DESCRIPTION DIM. OUTLINE	ISSUED BY L. CONTI	ISSUED 6/16/2008	GROUP SV
	VALVE MODEL SRH250-3/8	REVISIONS REVISED BY NRP	REVISION 4/14/2016	PAGE 2 OF 4
<small>THIS DOCUMENT CONTAINS INFORMATION CONFIDENTIAL TO CONRADER. LOANED SUBJECT TO THE CONDITIONS THAT IT NOT BE USED OR CAUSED TO BE USED IN ANY WAY HARMFUL TO CONRADER AND BE RETURNED ON DEMAND.</small>	MATERIAL	SCALE 2:1	DRAWING NO. 5696	REVISION E



SRH250 Set Pressure vs. Flow Rate



**THE NATIONAL BOARD
OF
BOILER & PRESSURE VESSEL INSPECTORS**

Certificate of Authorization



This is to certify that

R. Conrader Company

Acceptable Abbrev.: R. Conrader

749 East 18th St

Erie, PA 16503

United States

is authorized to use the "NB" mark in accordance with the provisions of NB-501, National Board Certification of Pressure Relief Devices.

The scope of Authorization is limited to National Board Certified devices which have been manufactured, assembled and marked in accordance with the following construction codes:

ASME Section VIII, Division 1: "UV" Stamp

Issue Date: May 20, 2019

Expiration Date: September 4, 2022

Executive Director

A handwritten signature in black ink, appearing to read 'R. Conrader', is written over a large, faint, light-green watermark of the NB logo.

RCC





CERTIFICATE OF AUTHORIZATION

The named company is authorized by the American Society of Mechanical Engineers (ASME) for the scope of activity shown below in accordance with the applicable rules of the ASME Boiler and Pressure Vessel Code. The use of the certification mark and the authority granted by this Certificate of Authorization are subject to the provisions of the agreement set forth in the application. Any construction stamped with this certification mark shall have been built strictly in accordance with the provisions of the ASME Boiler and Pressure Vessel Code.

COMPANY:

**R. Conrader Company
749 E. 18th St.
Erie, Pennsylvania 16503**

SCOPE:

**Manufacture of pressure vessel pressure relief valves at the above location only
(This authorization does not cover welding or brazing)**

AUTHORIZED: **May 17, 2019**

EXPIRES: **September 4, 2022**

CERTIFICATE NUMBER: **34,454**

A handwritten signature in blue ink that reads "David E. Tuttle".

Board Chair, Conformity Assessment

A handwritten signature in black ink that reads "Joseph Conrader".

Managing Director, Conformity Assessment

