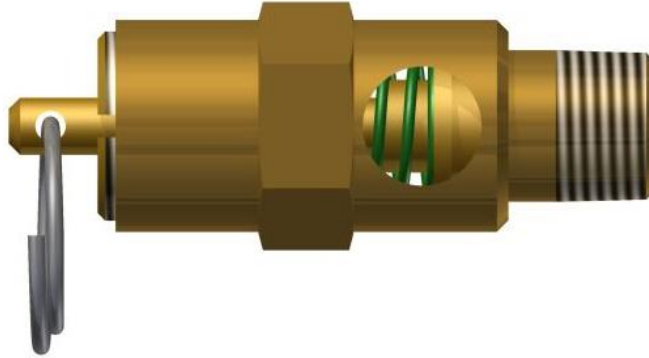




**Pressure Relief Valve
Model: SRV187**



Set Pressure Range: 25-250 psig

Set Pressure Tolerance: ± 2 psig up to and including 70 psig, $\pm 3\%$ of set pressure greater than 70 psig. As required in paragraph UG-134(d)(1) of the ASME Boiler & Pressure Vessel Code Sec. VIII Div. 1.

**Seat Leakage: Bubble Tight within 5 psig for set pressure 50 psig or less
Bubble Tight within 10% for set pressure greater than 50 psig
As required in paragraph 2.2.3 of API 527.**

Flow Factor (Slope Method): 0.41

Operating Temperature Range: -65°F to 400°F

Materials of Construction:

Seat, Cap, Piston: ASTM B16 Brass

Spring: 17-7 Stainless Steel

Seal: Silicone or Viton

Valve Weight: 0.06 lbm

Valve Options:

Valve Material: ASTM B16 Brass

Compliance with European PED 2014/68/EU, "CE" Stamp

Seal: Silicone (-65°F to 400°F) or Viton (-15°F to 400°F)

Plating: Nickel Plating

Inlet NPT Sizes: 1/8 NPT or BSPT

1/4 NPT or BSPT

Certifications:

ASME Boiler & Pressure Vessel Code Section VIII Division 1

CSA B51 Boiler, Pressure, Vessel, and Pressure Piping Code

CONRADER

Ordering Information

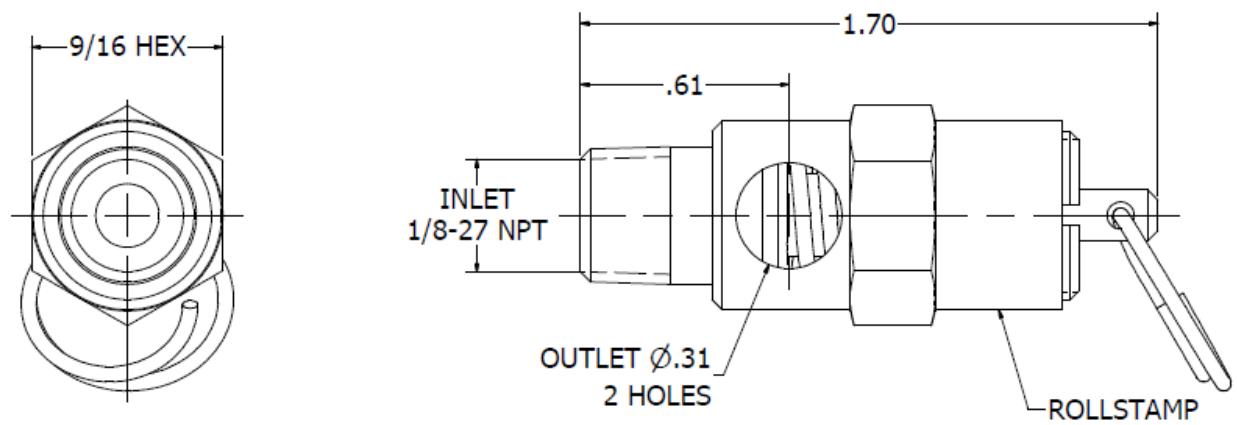
SRV187		-	1/8		-	BSPT		-	NP		-	V		-	CE		-	SC		-	SST		-	150	
Connection Size		Connection Type		Construction Material		Seal Material		Optional Code		Serialized		Thread Sealant		Pressure Setting											
Option	Code	Option	Code	Option	Code	Option	Code	Option	Code	Option	Code	Option	Code	Option	Code										
1/8"	1/8	NPT	(Blank)	Brass	(Blank)	Silicone	(Blank)	None	(Blank)	None	(Blank)	None	(Blank)	None	(Blank)										
1/4"	1/4	BSPT	BSPT	Nickel Plated	NP	Viton®	V	CE Mark	CE	Serialized	SC	White	SST												
								Non-Code	NC																

Options

1. Connection Size: The available sizes are 1/8" or 1/4".
2. Connection Type
 - a. NPT – Pipe Threads made to the ASME B1.20.1 Standard
 - b. BSPT – Pipe Threads made to the ISO 7-1 Standard
3. Construction Material
 - a. Brass
 - b. Nickel Plated – Electroless Nickel Plated Brass
4. Seal Material
 - a. Silicone
 - b. Viton® (included with the Nickel Plated option)
5. Optional Code
 - a. None: Will meet the requirements of ASME BPV Code Section VIII Division 1.
 - b. CE Mark: Valve has the “CE” mark for the European Union Pressure Equipment Directive.
 - c. Non-Code: For valves with a pressure setting below 25 psi.
6. Serialized Valves: Have a unique serial number and include certificate.
7. Thread Sealant
 - a. White colored thread sealant
 - b. Rust colored thread sealant

Examples:

1. A 1/4" NPT brass valve with a silicone seal set 200 psi is **SRV187-1/4-200**.
2. A 1/8" BSPT brass valve with a Viton seal and white thread sealant set at 100 psi is **SRV187-1/8-BSPT-V-SST-100**.

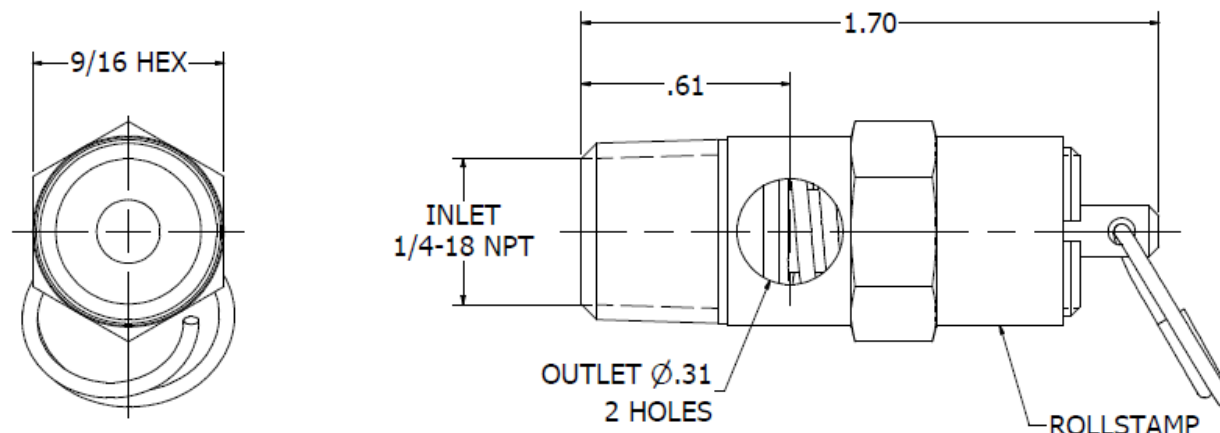
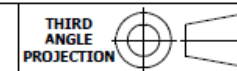


*** ASME R.CONRADER ERIE PA NB
 *** SRV187 1/8 NPT
 *** CRN 0G06391.2C
 UV XXX PSI XXX SCFM 20XX

NOTES:

- * OPERATING TEMPERATURE RANGE: -65°F TO 400°F
- * SET PRESSURE RANGE: 25-250 psig
- * SET PRESSURE TOLERANCE: ±2 psig UP TO AND INCLUDING 70 psig, ±3% OF SET PRESSURE GREATER THAN 70 psig.
- * SEAT TIGHTNESS: BUBBLE TIGHT WITHIN 5 psig FOR SET PRESSURE 50 psig OR LESS. BUBBLE TIGHT WITHIN 10% FOR SET PRESSURE GREATER THAN 50 psig.
- * VALVE WEIGHT: 0.07 lbmass


R. CONRADER COMPANY 749 EAST 18TH STREET P.O. BOX 924 ERIE, PA 16512-0924 (814) 898-2727	DESCRIPTION DIM. OUTLINE	ISSUED BY L.CONTI	ISSUED 1/26/1995	GROUP SV
	VALVE MODEL SRV187-1/8	REVISOR NRP	REVISOR 1/14/2016	PAGE 2 OF 4
<small>THIS DOCUMENT CONTAINS INFORMATION CONFIDENTIAL TO CONRADER. LOANED SUBJECT TO THE CONDITIONS THAT IT NOT BE USED OR CAUSED TO BE USED IN ANY WAY HARMFUL TO CONRADER AND BE RETURNED ON DEMAND.</small>	MATERIAL	SCALE 2:1	DRAWING NO. 1309	REVISION I



***  R. CONRADER ERIE PA 
 *** SRV187 1/4 NPT
 *** CRN 0G06391.2C
 UV XXX PSI XXX SCFM 20XX

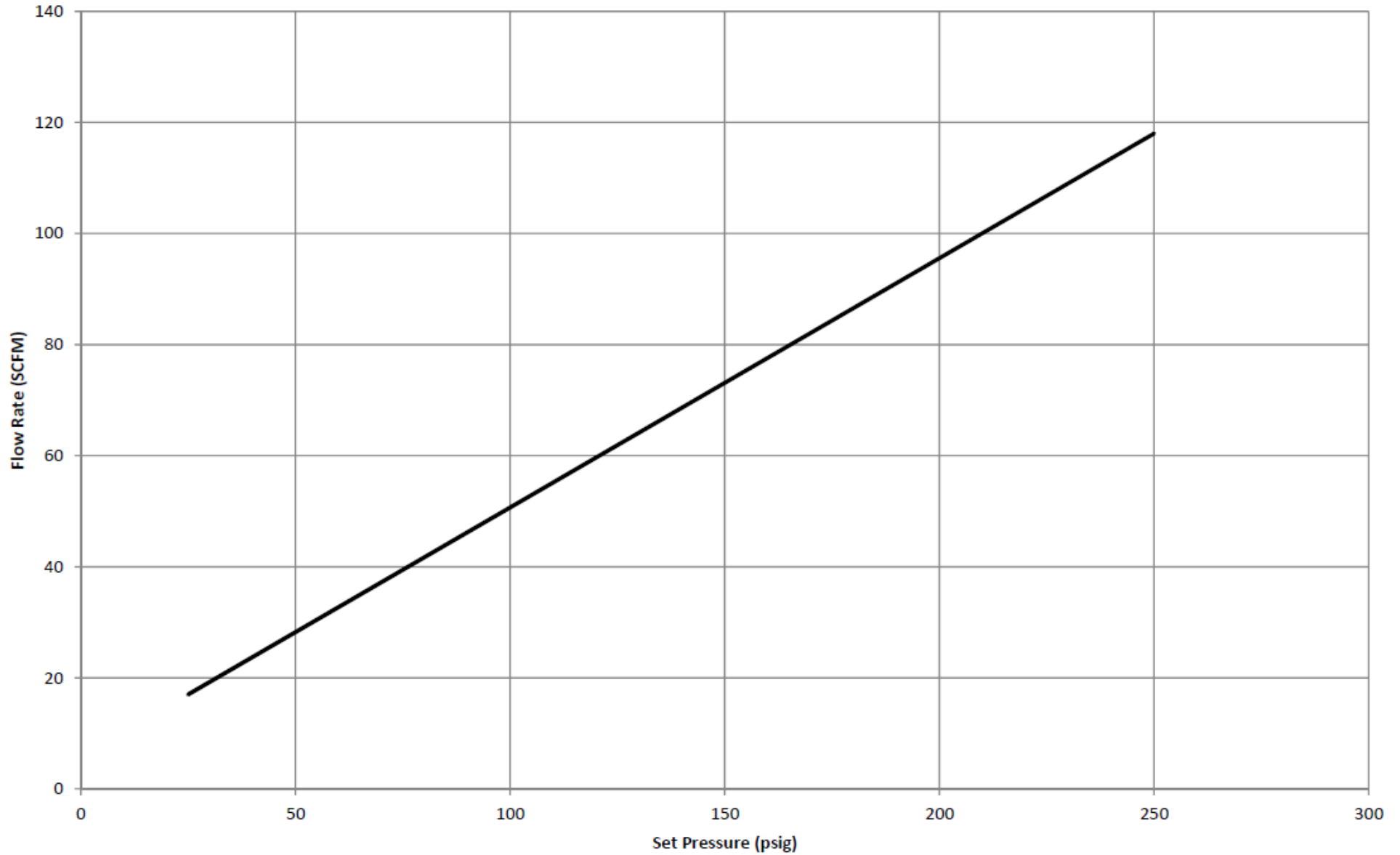
NOTES:

- * OPERATING TEMPERATURE RANGE: -65°F TO 400°F
- * SET PRESSURE RANGE: 25-250 psig
- * SET PRESSURE TOLERANCE: ±2 psig UP TO AND INCLUDING 70 psig, ±3% OF SET PRESSURE GREATER THAN 70 psig.
- * SEAT TIGHTNESS: BUBBLE TIGHT WITHIN 5 psig FOR SET PRESSURE 50 psig OR LESS. BUBBLE TIGHT WITHIN 10% FOR SET PRESSURE GREATER THAN 50 psig.
- * VALVE WEIGHT: 0.08 lbmass

 R. CONRADER COMPANY 749 EAST 18TH STREET P.O. BOX 924 ERIE, PA 16512-0924 (814) 898-2727	DESCRIPTION DIM. OUTLINE	ISSUED BY L. CONTI	ISSUED 1/25/1995	GROUP SV
	VALVE MODEL SRV187-1/4	REVISOR NRP	REVISOR 1/14/2016	PAGE 2 OF 4
THIS DOCUMENT CONTAINS INFORMATION CONFIDENTIAL TO CONRADER. LOANED SUBJECT TO THE CONDITIONS THAT IT NOT BE USED OR CAUSED TO BE USED IN ANY WAY HARMFUL TO CONRADER AND BE RETURNED ON DEMAND.	MATERIAL	SCALE 2:1	DRAWING NO. 1300	REVISION H



SRV187 Set Pressure vs. Flow Rate



**THE NATIONAL BOARD
OF
BOILER & PRESSURE VESSEL INSPECTORS**

Certificate of Authorization



This is to certify that

R. Conrader Company

Acceptable Abbrev.: R. Conrader

749 East 18th St

Erie, PA 16503

United States

is authorized to use the "NB" mark in accordance with the provisions of NB-501, National Board Certification of Pressure Relief Devices.

The scope of Authorization is limited to National Board Certified devices which have been manufactured, assembled and marked in accordance with the following construction codes:

ASME Section VIII, Division 1: "UV" Stamp

Issue Date: May 20, 2019

Expiration Date: September 4, 2022

Executive Director

A handwritten signature in black ink, appearing to read 'D. A. ...', is written over a large, faint, light-green watermark of the NB logo.

RCC





CERTIFICATE OF AUTHORIZATION

The named company is authorized by the American Society of Mechanical Engineers (ASME) for the scope of activity shown below in accordance with the applicable rules of the ASME Boiler and Pressure Vessel Code. The use of the certification mark and the authority granted by this Certificate of Authorization are subject to the provisions of the agreement set forth in the application. Any construction stamped with this certification mark shall have been built strictly in accordance with the provisions of the ASME Boiler and Pressure Vessel Code.

COMPANY:

**R. Conrader Company
749 E. 18th St.
Erie, Pennsylvania 16503**

SCOPE:

**Manufacture of pressure vessel pressure relief valves at the above location only
(This authorization does not cover welding or brazing)**

AUTHORIZED: **May 17, 2019**
EXPIRES: **September 4, 2022**
CERTIFICATE NUMBER: **34,454**

A handwritten signature in blue ink that reads "David E. Tuttle".

Board Chair, Conformity Assessment

A handwritten signature in black ink that reads "Joseph Conrader".

Managing Director, Conformity Assessment

