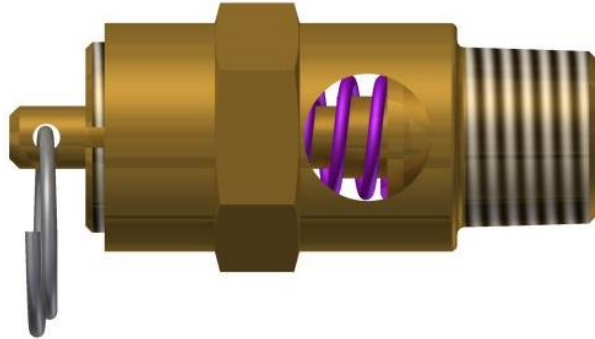




**Pressure Relief Valve  
Model: SRV250**



**Set Pressure Range: 25-450 psig**

**Set Pressure Tolerance:  $\pm 2$  psig up to and including 70 psig,  $\pm 3\%$  of set pressure greater than 70 psig. As required in paragraph UG-134(d)(1) of the ASME Boiler & Pressure Vessel Code Sec. VIII Div. 1.**

**Seat Leakage: Bubble Tight within 5 psig for set pressure 50 psig or less  
Bubble Tight within 10% for set pressure greater than 50 psig  
As required in paragraph 2.2.3 of API 527.**

**Flow Factor (Slope Method): 0.74**

**Operating Temperature Range:  $-65^{\circ}$  to  $400^{\circ}\text{F}$**

**Materials of Construction:**

**Seat, Cap, Piston: ASTM B16 Brass or ASTM A582 Stainless**

**Spring: 17-7 Stainless Steel**

**Seal: Silicone or Viton**

**Valve Weight: 0.10 lbm**

**Valve Options:**

**Valve Material: ASTM B16 Brass or ASTM A582 Stainless**

**Compliance with European PED 2014/68/EU, "CE" Stamp**

**Seal: Silicone (25-350 psig @  $-65^{\circ}$  to  $400^{\circ}\text{F}$ ) or Viton (25-450 psig @  $-15^{\circ}$  to  $400^{\circ}\text{F}$ )**

**High Pressure Setting 351-450 psi (Valve Weight 0.11 lbm)**

**Plating: Nickel Plating**

**Inlet NPT Sizes: 1/8 NPT or BSPT**

**1/4 NPT or BSPT**

**3/8 NPT or BSPT**

**Certifications:**

**ASME Boiler & Pressure Vessel Code Section VIII Division 1**

**CSA B51-03 Boiler, Pressure, Vessel, and Pressure Piping Code**

# CONRADER

## Ordering Information

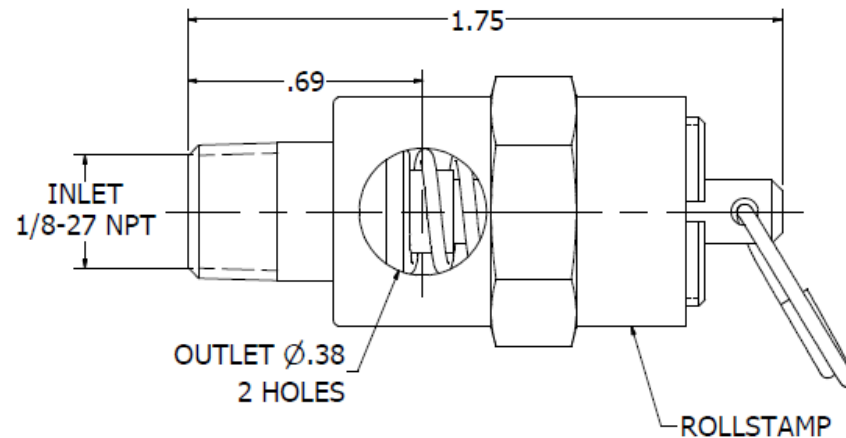
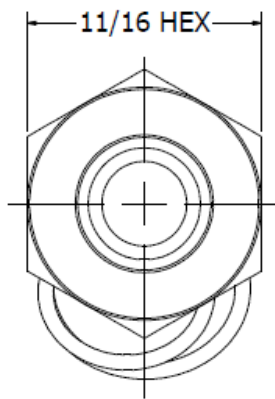
SRV250		-	1/4		-	BSPT		-	SS		-	V		-	CE		-	SC		-	SST		-	150	
Connection Size		Connection Type		Construction Material		Seal Material		Optional Code		Serialized		Thread Sealant		Pressure Setting											
Option	Code	Option	Code	Option	Code	Option	Code	Option	Code	Option	Code	Option	Code	Option	Code										
1/8"	1/8	NPT	(Blank)	Brass	(Blank)	Silicone	(Blank)	None	(Blank)	None	(Blank)	None	(Blank)	None	(Blank)										
1/4"	1/4	BSPT	BSPT	Nickel Plated	NP	Viton®	V	CE Mark	CE	Serialized	SC	White	SST												
3/8"	3/8"			Stainless Steel	SS			Non-Code	NC																

## Options

1. Connection Size: The available sizes are 1/8", 1/4", or 3/8".
2. Connection Type
  - a. NPT – Pipe Threads made to the ASME B1.20.1 Standard
  - b. BSPT – Pipe Threads made to the ISO 7-1 Standard
3. Construction Material
  - a. Brass
  - b. Nickel Plated – Electroless Nickel Plated Brass
  - c. Stainless Steel
4. Seal Material
  - a. Silicone
  - b. Viton® (included with the Nickel Plated and Stainless Steel options)
5. Optional Code
  - a. None: Will meet the requirements of ASME BPV Code Section VIII Division 1.
  - b. CE Mark: Valve has the “CE” mark for the European Union Pressure Equipment Directive.
  - c. Non-Code: For valves with a pressure setting below 25 psi.
6. Serialized Valves: Have a unique serial number and include certificate.
7. Thread Sealant
  - a. White colored thread sealant
  - b. Rust colored thread sealant

### Examples:


1. A 1/4" NPT brass valve with a silicone seal set 200 psi is **SRV250-1/4-200**.
2. A 1/8" BSPT brass valve with a Viton seal and white thread sealant set at 100 psi is **SRV250-1/8-BSPT-V-SST-100**.

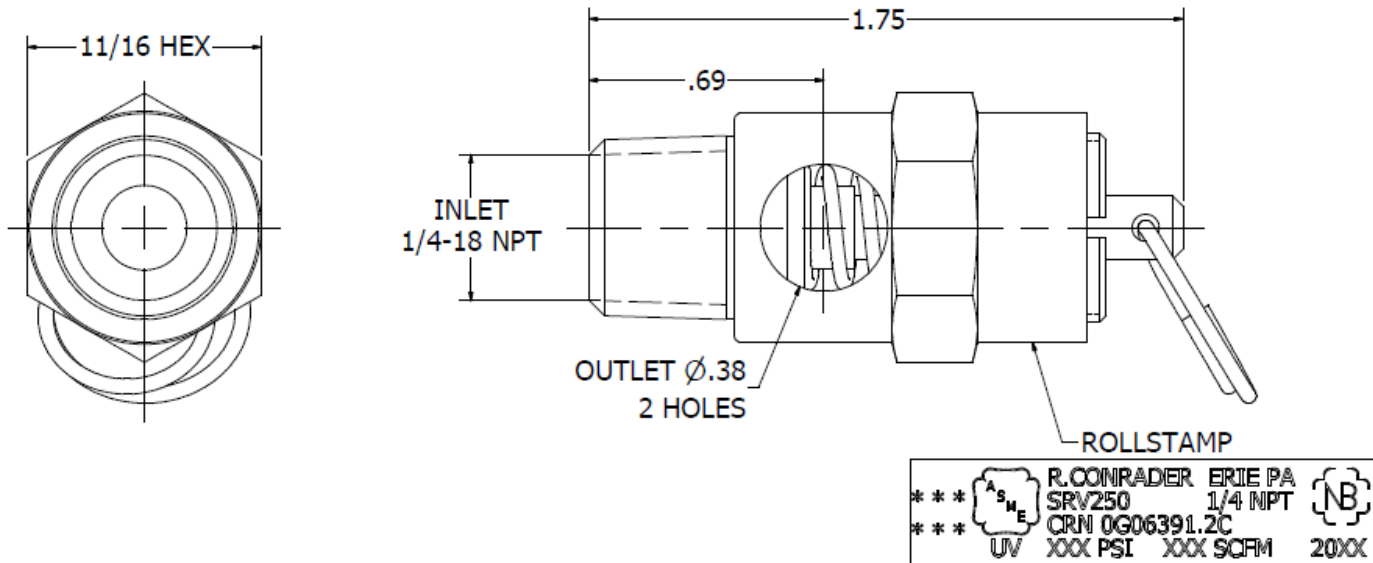


\*\*\*  R. CONRADER ERIE PA  
 \*\*\*  SRV250 1/8 NPT   
 \*\*\*  CRNI 0G06391.2C  
 UV XXX PSI XXX SCFM 20XX

**NOTES:**

- \* OPERATING TEMPERATURE RANGE: -65°F TO 400°F
- \* SET PRESSURE RANGE: 25-350 psig
- \* SET PRESSURE TOLERANCE: ±2 psig UP TO AND INCLUDING 70 psig, ±3% OF SET PRESSURE GREATER THAN 70 psig.
- \* SEAT TIGHTNESS: BUBBLE TIGHT WITHIN 5 psig FOR SET PRESSURE 50 psig OR LESS. BUBBLE TIGHT WITHIN 10% FOR SET PRESSURE GREATER THAN 50 psig.
- \* VALVE WEIGHT: 0.09 lbmass

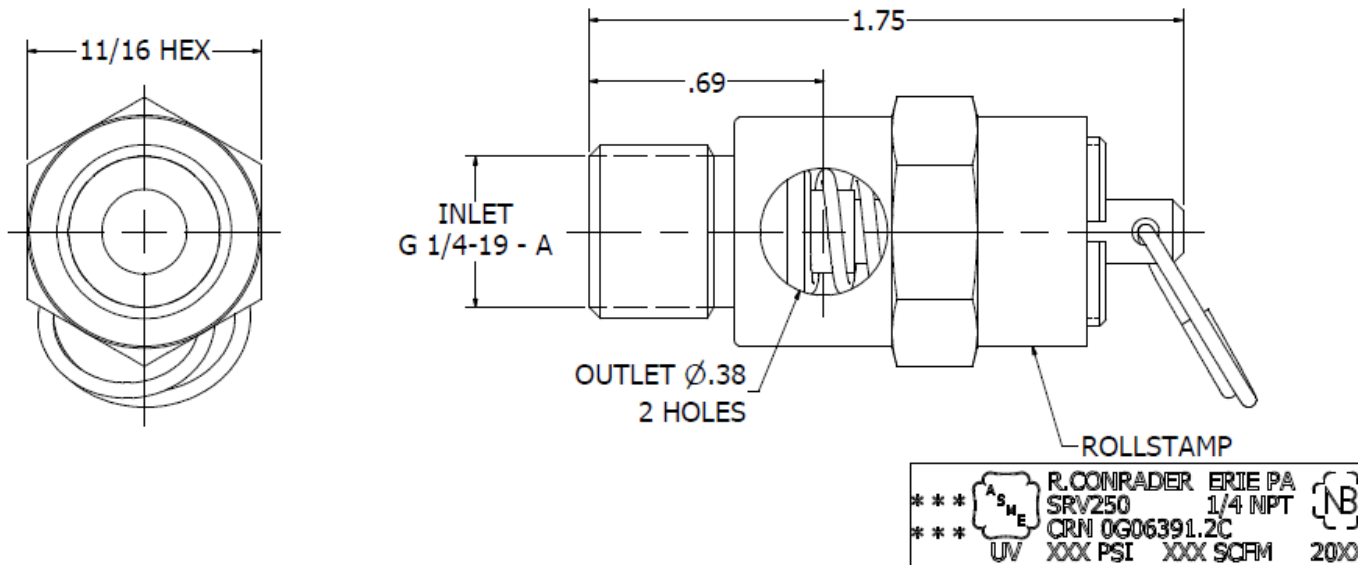
 R. CONRADER COMPANY 749 EAST 18TH STREET P.O. BOX 924 ERIE, PA 16512-0924 (814) 898-2727	<b>DESCRIPTION</b> <b>DIM. OUTLINE</b>	<b>ISSUED BY</b> <b>STAUFFER</b>	<b>ISSUED</b> <b>1/27/2005</b>	<b>GROUP</b> <b>SV</b>
	<b>VALVE MODEL</b> <b>SRV250-1/8</b>	<b>REVISOR</b> <b>NRP</b>	<b>REVISOR</b> <b>1/20/2016</b>	<b>PAGE 2 OF 4</b>
THIS DOCUMENT CONTAINS INFORMATION CONFIDENTIAL TO CONRADER. LOANED SUBJECT TO THE CONDITIONS THAT IT NOT BE USED OR CAUSED TO BE USED IN ANY WAY HARMFUL TO CONRADER AND BE RETURNED ON DEMAND.	<b>MATERIAL</b>	<b>SCALE</b> <b>2:1</b>	<b>DRAWING NO.</b> <b>5008</b>	<b>REVISION</b> <b>F</b>



**NOTES:**

- \* OPERATING TEMPERATURE RANGE: -65°F TO 400°F
- \* SET PRESSURE RANGE: 25-350 psig
- \* SET PRESSURE TOLERANCE: ±2 psig UP TO AND INCLUDING 70 psig, ±3% OF SET PRESSURE GREATER THAN 70 psig.
- \* SEAT TIGHTNESS: BUBBLE TIGHT WITHIN 5 psig FOR SET PRESSURE 50 psig OR LESS. BUBBLE TIGHT WITHIN 10% FOR SET PRESSURE GREATER THAN 50 psig.
- \* VALVE WEIGHT: 0.10 lbmass

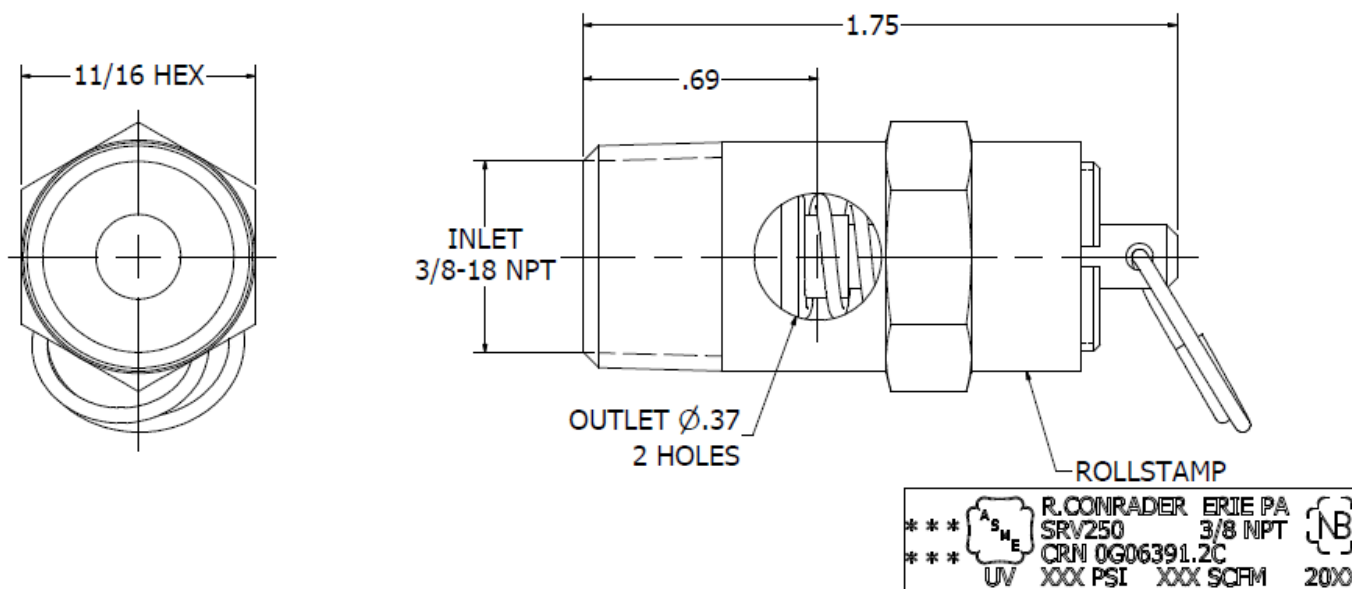
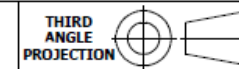
	R. CONRADER COMPANY 749 EAST 18TH STREET P.O. BOX 924 ERIE, PA 16512-0924 (814) 898-2727	<b>DESCRIPTION</b> <b>DIM. OUTLINE</b> VALVE MODEL <b>SRV250-1/4</b> <b>MATERIAL</b>	<b>ISSUED BY</b> <b>L.CONTI</b> <b>REVISED BY</b> <b>NRP</b> <b>SCALE</b> <b>2:1</b>	<b>ISSUED</b> <b>8/22/1994</b> <b>REVISED</b> <b>1/20/2016</b> <b>DRAWING NO.</b> <b>1299</b>	<b>GROUP</b> <b>SV</b> PAGE 2 OF 4 <b>REVISION</b> <b>I</b>
	<small>THIS DOCUMENT CONTAINS INFORMATION CONFIDENTIAL TO CONRADER. LOANED SUBJECT TO THE CONDITIONS THAT IT NOT BE USED OR CAUSED TO BE USED IN ANY WAY HARMFUL TO CONRADER AND BE RETURNED ON DEMAND.</small>				



**NOTES:**

- \* OPERATING TEMPERATURE RANGE: -15°F TO 400°F
- \* SET PRESSURE RANGE: 25-350 psig
- \* SET PRESSURE TOLERANCE: ±2 psig UP TO AND INCLUDING 70 psig, ±3% OF SET PRESSURE GREATER THAN 70 psig.
- \* SEAT TIGHTNESS: BUBBLE TIGHT WITHIN 5 psig FOR SET PRESSURE 50 psig OR LESS. BUBBLE TIGHT WITHIN 10% FOR SET PRESSURE GREATER THAN 50 psig.
- \* VALVE WEIGHT: 0.10 lbmass

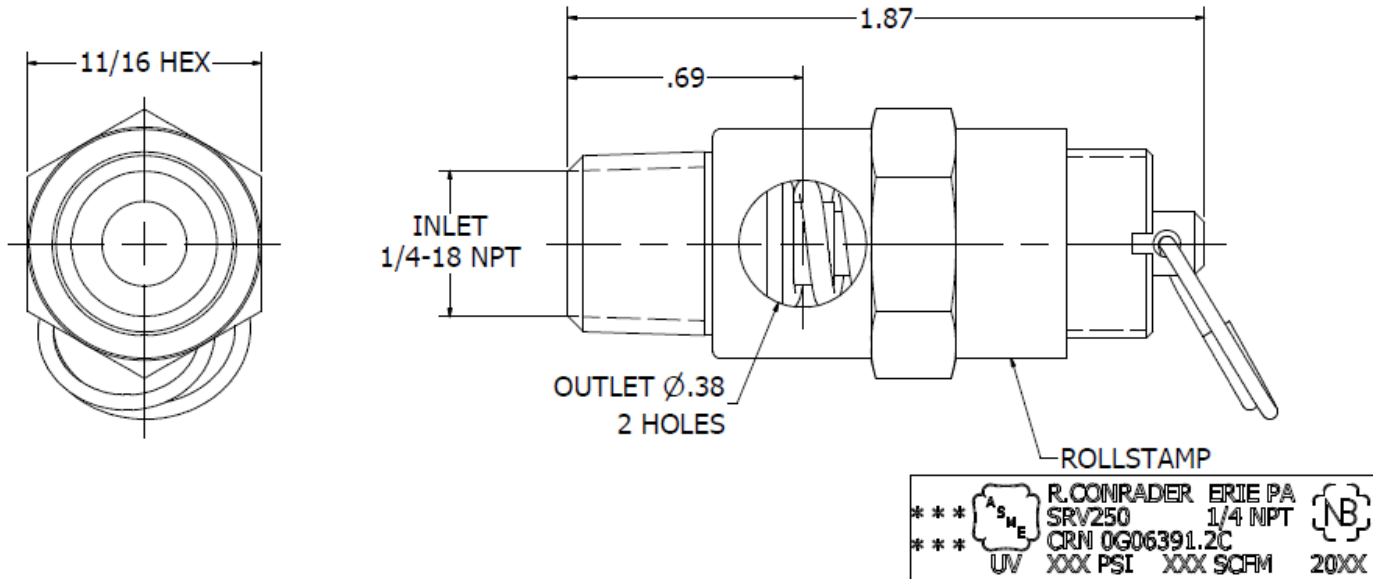
	R. CONRADER COMPANY 749 EAST 18TH STREET P.O. BOX 924 ERIE, PA 16512-0924 (814) 898-2727	<b>DESCRIPTION</b> <b>DIM. OUTLINE</b> <b>VALVE MODEL</b> <b>SRV250-1/4-BSPPA-V</b>	<b>ISSUED BY</b> <b>NRP</b>	<b>ISSUED</b> <b>1/10/2013</b>	<b>GROUP</b> <b>SV</b>
	THIS DOCUMENT CONTAINS INFORMATION CONFIDENTIAL TO CONRADER. LOANED SUBJECT TO THE CONDITIONS THAT IT NOT BE USED OR CAUSED TO BE USED IN ANY WAY HARMFUL TO CONRADER AND BE RETURNED ON DEMAND.	<b>MATERIAL</b>	<b>REVISED BY</b> <b>NRP</b>	<b>REVISED</b> <b>1/20/2016</b>	<b>PAGE 2 OF 6</b>



**NOTES:**

- \* OPERATING TEMPERATURE RANGE: -65°F TO 400°F
- \* SET PRESSURE RANGE: 25-350 psig
- \* SET PRESSURE TOLERANCE: ±2 psig UP TO AND INCLUDING 70 psig, ±3% OF SET PRESSURE GREATER THAN 70 psig.
- \* SEAT TIGHTNESS: BUBBLE TIGHT WITHIN 5 psig FOR SET PRESSURE 50 psig OR LESS. BUBBLE TIGHT WITHIN 10% FOR SET PRESSURE GREATER THAN 50 psig.
- \* VALVE WEIGHT: 0.12 lbmass

	R. CONRADER COMPANY 749 EAST 18TH STREET P.O. BOX 924 ERIE, PA 16512-0924 (814) 898-2727	<b>DESCRIPTION</b> <b>DIM. OUTLINE</b> VALVE MODEL <b>SRV250-3/8</b> <b>MATERIAL</b>	<b>ISSUED BY</b> <b>STAUFFER</b> <b>REVISED BY</b> <b>NRP</b> <b>SCALE</b> <b>2:1</b>	<b>ISSUED</b> <b>4/17/2008</b> <b>REVISED</b> <b>1/20/2016</b> <b>DRAWING NO.</b> <b>5633</b>	<b>GROUP</b> <b>SV</b> PAGE 2 OF 4 <b>REVISION</b> <b>F</b>
	<small>THIS DOCUMENT CONTAINS INFORMATION CONFIDENTIAL TO CONRADER. LOANED SUBJECT TO THE CONDITIONS THAT IT NOT BE USED OR CAUSED TO BE USED IN ANY WAY HARMFUL TO CONRADER AND BE RETURNED ON DEMAND.</small>				



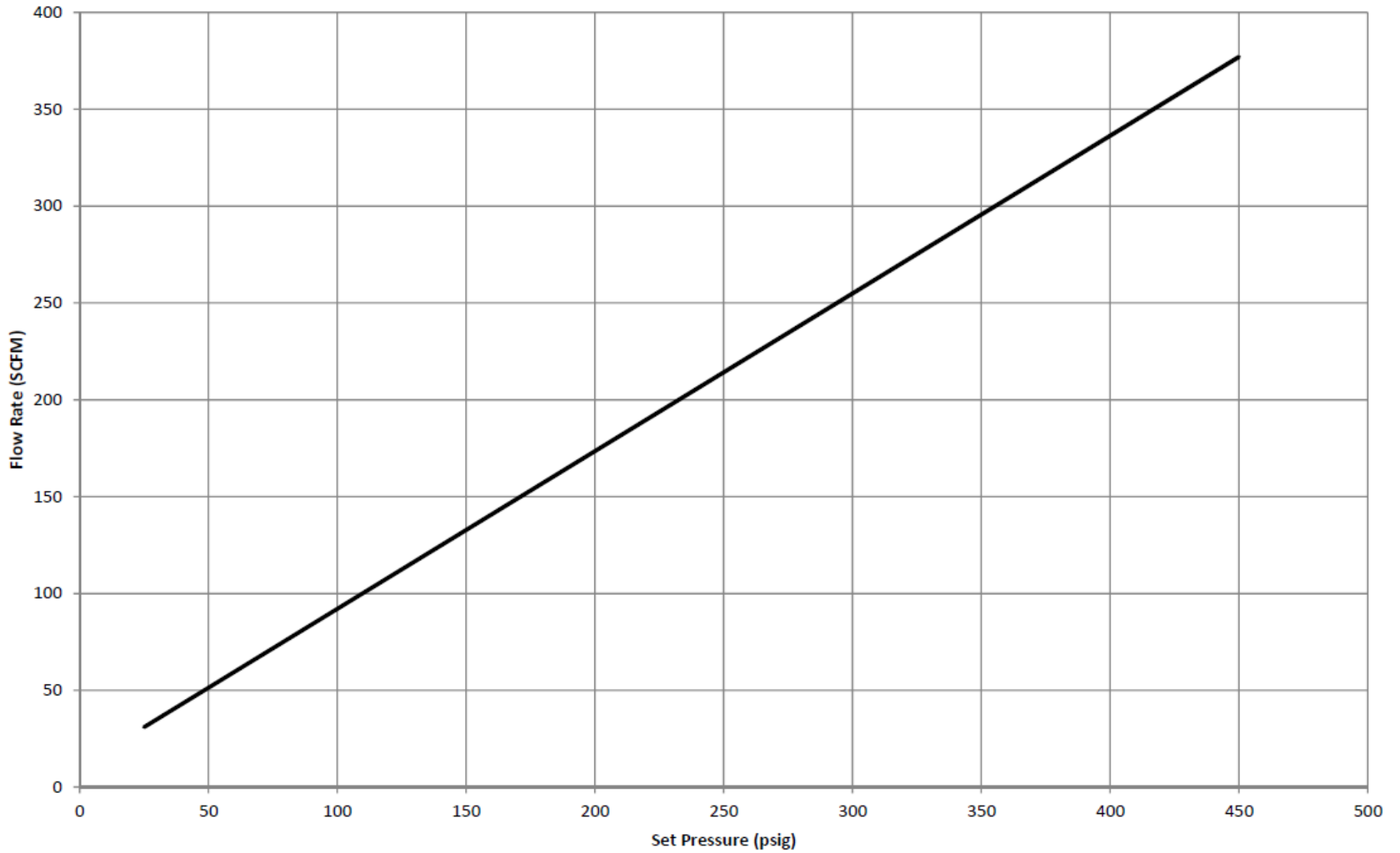
**NOTES:**

- \* OPERATING TEMPERATURE RANGE: -15°F TO 400°F
- \* SET PRESSURE RANGE: 351-450 psig
- \* SET PRESSURE TOLERANCE: ±3% OF SET PRESSURE.
- \* SEAT TIGHTNESS: BUBBLE TIGHT WITHIN 10% OF SET PRESSURE.
- \* VALVE WEIGHT: 0.12 lbmass

	R. CONRADER COMPANY 749 EAST 18TH STREET P.O. BOX 924 ERIE, PA 16512-0924 (814) 898-2727	<b>DESCRIPTION</b> <b>DIM. OUTLINE</b> <b>VALVE MODEL</b> <b>SRV250-1/4-V (351-450 psig)</b>	<b>ISSUED BY</b> <b>NRP</b>	<b>ISSUED</b> <b>5/30/2008</b>	<b>GROUP</b> <b>SV</b>
	THIS DOCUMENT CONTAINS INFORMATION CONFIDENTIAL TO CONRADER. LOANED SUBJECT TO THE CONDITIONS THAT IT NOT BE USED OR CAUSED TO BE USED IN ANY WAY HARMFUL TO CONRADER AND BE RETURNED ON DEMAND.	<b>MATERIAL</b>	<b>REVISOR</b> <b>NRP</b>	<b>REVISION</b> <b>1/20/2016</b>	<b>PAGE 4 OF 6</b>



## SRV250 Set Pressure vs. Flow Rate





**THE NATIONAL BOARD  
OF  
BOILER & PRESSURE VESSEL INSPECTORS**

*Certificate of Authorization*



*This is to certify that*

**R. Conrader Company**

**Nameplate Abbrev.: R. Conrader**

**749 East 18th St**

**Erie, PA 16503**

**UNITED STATES**

*is authorized to use the "NB" mark in accordance with the provisions of  
NB-501, National Board Certification of Pressure Relief Devices.*

The scope of Authorization is limited to National Board Certified devices  
which have been manufactured, assembled and marked in accordance  
with the following construction codes:

**ASME Section VIII, Division 1: "UV" Stamp**

Issue Date: May 17, 2016

Expiration Date: September 4, 2019

Executive Director

A handwritten signature in black ink, appearing to read 'D. A. ...', written over a horizontal line.

RCC





# CERTIFICATE OF AUTHORIZATION

The named company is authorized by the American Society of Mechanical Engineers (ASME) for the scope of activity shown below in accordance with the applicable rules of the ASME Boiler and Pressure Vessel Code. The use of the certification mark and the authority granted by this Certificate of Authorization are subject to the provisions of the agreement set forth in the application. Any construction stamped with this certification mark shall have been built strictly in accordance with the provisions of the ASME Boiler and Pressure Vessel Code.

COMPANY:

**R. Conrader Company  
749 E. 18th St.  
Erie, Pennsylvania 16503**

SCOPE:

**Manufacture of pressure vessel pressure relief valves at the above location only  
(This authorization does not cover welding or brazing)**

AUTHORIZED:

**April 19, 2016**

EXPIRES:

**September 4, 2019**

CERTIFICATE NUMBER:

**34,454**

  
Board Chair, Conformity Assessment

  
Director, Conformity Assessment

