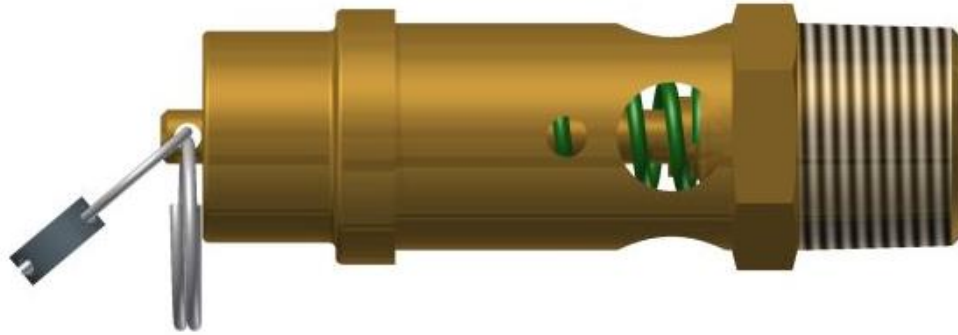




**Pressure Relief Valve
Model: SRV530**



Set Pressure Range: 25-300 psig

Set Pressure Tolerance: ± 2 psig up to and including 70 psig, $\pm 3\%$ of set pressure greater than 70 psig. As required in paragraph UG-134(d)(1) of the ASME Boiler & Pressure Vessel Code Sec. VIII Div. 1.

**Seat Leakage: Bubble Tight within 5 psig for set pressure 50 psig or less
Bubble Tight within 10% for set pressure greater than 50 psig
As required in paragraph 2.2.3 of API 527.**

Flow Factor (Slope Method): 3.35

Operating Temperature Range: -65°F to 400°F

Materials of Construction:

Seat, Cap, Piston: ASTM B16 Brass or ASTM A582 Stainless

Spring: 17-7 Stainless Steel

Seal: Silicone or Viton

Valve Weight: 0.61 lbm

Valve Options:

Valve Material: ASTM B16 Brass or ASTM A582 Stainless

Compliance with European PED 2014/68/EU, "CE" Stamp

Seal: Silicone (-65°F to 400°F) or Viton (-15°F to 400°F)

Plating: Nickel Plating

Inlet Sizes: 1/2 NPT or BSPT

3/4 NPT or BSPT

Certifications:

ASME Boiler & Pressure Vessel Code Section VIII Division 1

CSA B51-03 Boiler, Pressure, Vessel, and Pressure Piping Code

CONRADER

Ordering Information

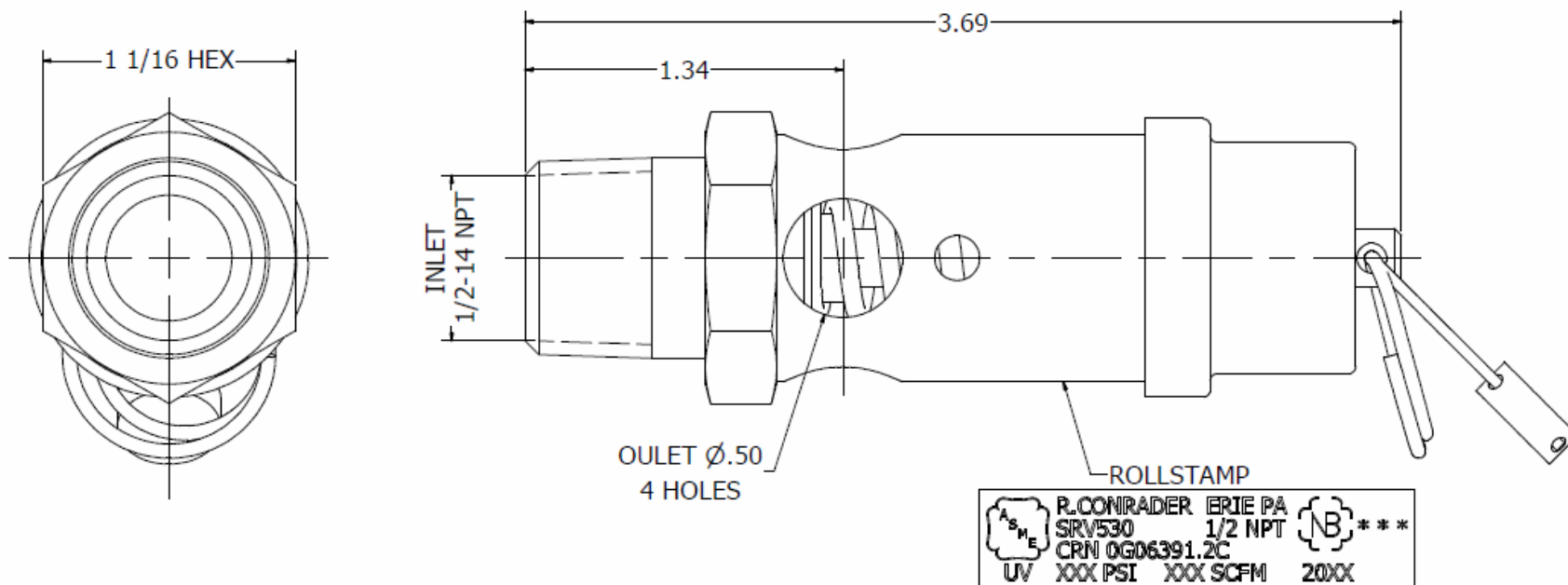
SRV530		-	3/4		-	BSPT		-	SS		-	V		-	CE		-	SC		-	SST		-	150	
Connection Size		Connection Type		Construction Material		Seal Material		Optional Code		Serialized		Thread Sealant		Pressure Setting											
Option	Code	Option	Code	Option	Code	Option	Code	Option	Code	Option	Code	Option	Code	Option	Code										
1/2"	1/2	NPT	(Blank)	Brass	(Blank)	Silicone	(Blank)	None	(Blank)	None	(Blank)	None	(Blank)	None	(Blank)										
3/4"	3/4	BSPT	BSPT	Nickel Plated	NP	Viton®	V	CE Mark	CE	Serialized	SC	White	SST												
				Stainless Steel	SS			Non-Code	NC																

Options

1. Connection Size: The available sizes are 1/2" or 3/4".
2. Connection Type
 - a. NPT – Pipe Threads made to the ASME B1.20.1 Standard
 - b. BSPT – Pipe Threads made to the ISO 7-1 Standard
3. Construction Material
 - a. Brass
 - b. Nickel Plated – Electroless Nickel Plated Brass
 - c. Stainless Steel
4. Seal Material
 - a. Silicone
 - b. Viton® (included with the Nickel Plated and Stainless Steel options)
5. Optional Code
 - a. None: Will meet the requirements of ASME BPV Code Section VIII Division 1.
 - b. CE Mark: Valve has the “CE” mark for the European Union Pressure Equipment Directive.
 - c. Non-Code: For valves with a pressure setting below 25 psi.
6. Serialized Valves: Have a unique serial number and include certificate.
7. Thread Sealant
 - a. White colored thread sealant
 - b. Rust colored thread sealant

Examples:

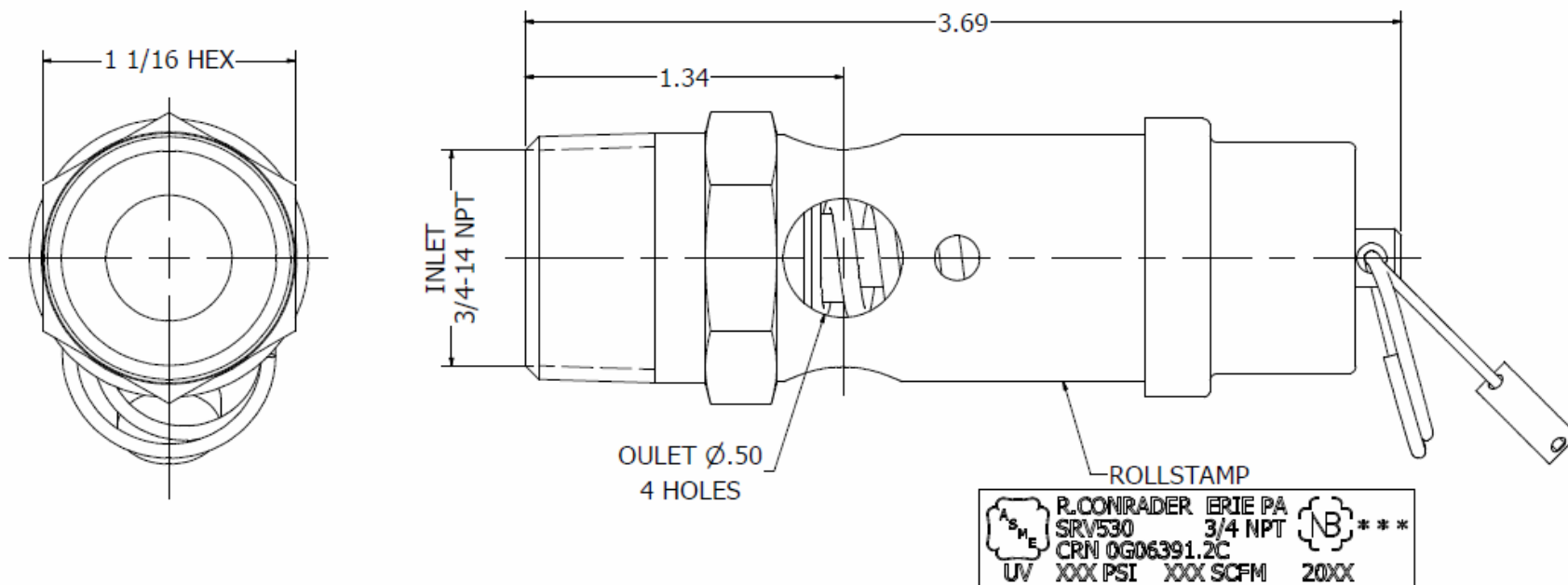
1. A 1/2" NPT brass valve with a silicone seal set 200 psi is **SRV530-1/2-200**.
2. A 3/4" BSPT brass valve with a Viton seal and white thread sealant set at 100 psi is **SRV530-3/4-BSPT-V-SST-100**.



NOTES:

- * OPERATING TEMPERATURE RANGE: -65°F TO 400°F
- * SET PRESSURE RANGE: 25-300 psig
- * SET PRESSURE TOLERANCE: ±2 psig UP TO AND INCLUDING 70 psig, ±3% OF SET PRESSURE GREATER THAN 70 psig.
- * SEAT TIGHTNESS: BUBBLE TIGHT WITHIN 5 psig FOR SET PRESSURE 50 psig OR LESS. BUBBLE TIGHT WITHIN 10% FOR SET PRESSURE GREATER THAN 50 psig.
- * VALVE WEIGHT: 0.55 lbmass

	R. CONRADER COMPANY 749 EAST 18TH STREET P.O. BOX 924 ERIE, PA 16512-0924 (814) 898-2727	DESCRIPTION DIM. OUTLINE	ISSUED BY NRP	ISSUED 7/1/2008	GROUP SV
	THIS DOCUMENT CONTAINS INFORMATION CONFIDENTIAL TO CONRADER. LOANED SUBJECT TO THE CONDITIONS THAT IT NOT BE USED OR CAUSED TO BE USED IN ANY WAY HARMFUL TO CONRADER AND BE RETURNED ON DEMAND.	VALVE MODEL SRV530-1/2	REVISOR NRP	REVISOR 3/21/2016	REVISION F
	MATERIAL	SCALE 3:2	DRAWING NO. 5713		



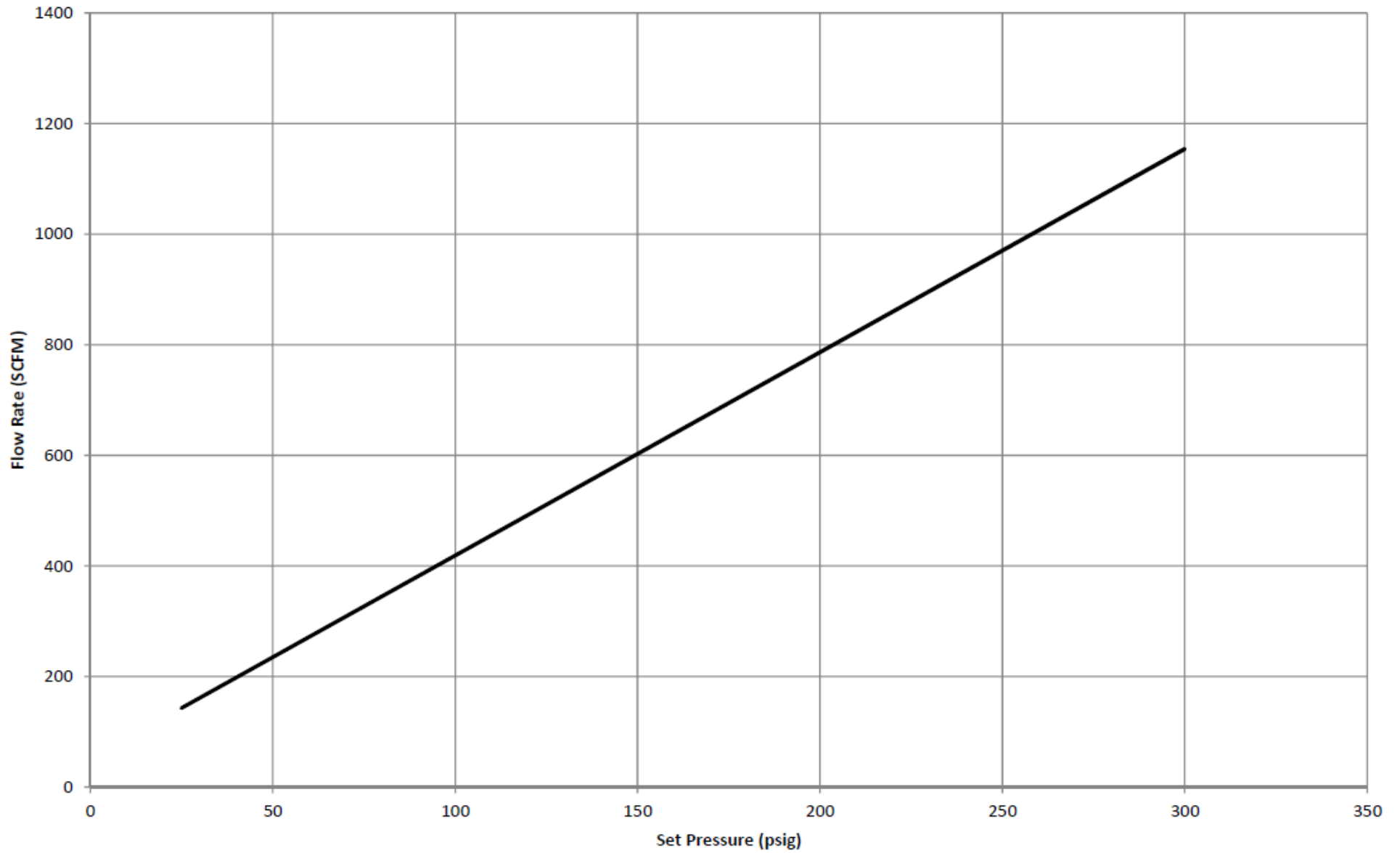
NOTES:

- * OPERATING TEMPERATURE RANGE: -65°F TO 400°F
- * SET PRESSURE RANGE: 25-300 psig
- * SET PRESSURE TOLERANCE: ±2 psig UP TO AND INCLUDING 70 psig, ±3% OF SET PRESSURE GREATER THAN 70 psig.
- * SEAT TIGHTNESS: BUBBLE TIGHT WITHIN 5 psig FOR SET PRESSURE 50 psig OR LESS. BUBBLE TIGHT WITHIN 10% FOR SET PRESSURE GREATER THAN 50 psig.
- * VALVE WEIGHT: 0.63 lbmass

	R. CONRADER COMPANY 749 EAST 18TH STREET P.O. BOX 924 ERIE, PA 16512-0924 (814) 898-2727	DESCRIPTION DIM. OUTLINE	ISSUED BY L. CONTI	ISSUED 8/23/1994	GROUP SV
	THIS DOCUMENT CONTAINS INFORMATION CONFIDENTIAL TO CONRADER. LOANED SUBJECT TO THE CONDITIONS THAT IT NOT BE USED OR CAUSED TO BE USED IN ANY WAY HARMFUL TO CONRADER AND BE RETURNED ON DEMAND.	VALVE MODEL SRV530-3/4	REVISOR NRP	REVISOR 3/21/2016	REVISION L
	MATERIAL	SCALE 3:2	DRAWING NO. 1302		



SRV530 Set Pressure vs. Flow Rate



**THE NATIONAL BOARD
OF
BOILER & PRESSURE VESSEL INSPECTORS**

Certificate of Authorization



This is to certify that

R. Conrader Company

Nameplate Abbrev.: R. Conrader

749 East 18th St

Erie, PA 16503

UNITED STATES

is authorized to use the "NB" mark in accordance with the provisions of NB-501, National Board Certification of Pressure Relief Devices.

The scope of Authorization is limited to National Board Certified devices which have been manufactured, assembled and marked in accordance with the following construction codes:

ASME Section VIII, Division 1: "UV" Stamp

Issue Date: May 17, 2016

Expiration Date: September 4, 2019

Executive Director

A handwritten signature in black ink, appearing to read 'D. A. ...', is written over the printed name of the Executive Director.

RCC





CERTIFICATE OF AUTHORIZATION

The named company is authorized by the American Society of Mechanical Engineers (ASME) for the scope of activity shown below in accordance with the applicable rules of the ASME Boiler and Pressure Vessel Code. The use of the certification mark and the authority granted by this Certificate of Authorization are subject to the provisions of the agreement set forth in the application. Any construction stamped with this certification mark shall have been built strictly in accordance with the provisions of the ASME Boiler and Pressure Vessel Code.

COMPANY:

**R. Conrader Company
749 E. 18th St.
Erie, Pennsylvania 16503**

SCOPE:

**Manufacture of pressure vessel pressure relief valves at the above location only
(This authorization does not cover welding or brazing)**

AUTHORIZED:

April 19, 2016

EXPIRES:

September 4, 2019

CERTIFICATE NUMBER:

34,454


Board Chair, Conformity Assessment


Director, Conformity Assessment

